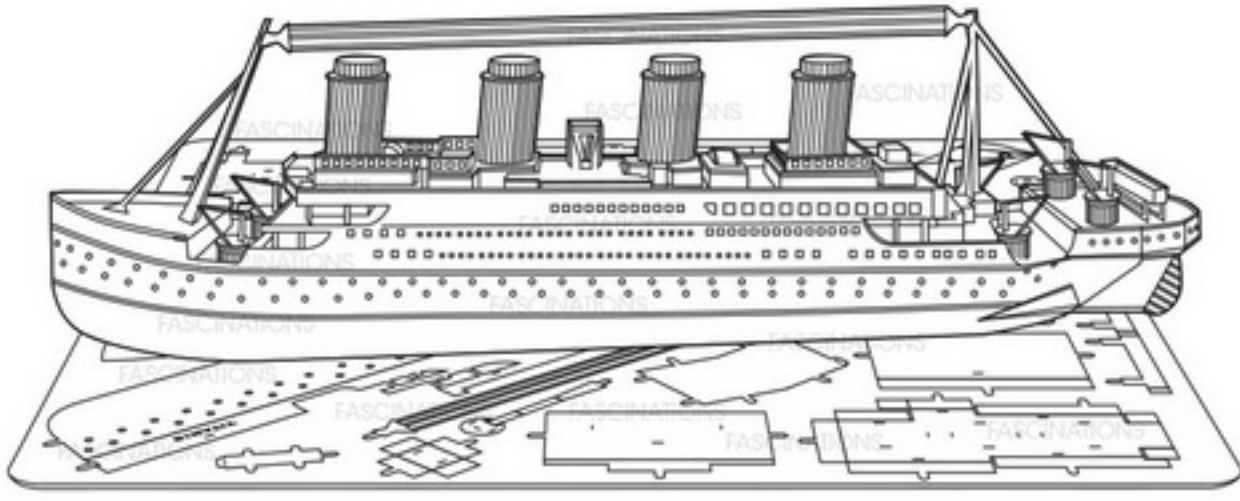


# METAL EARTH™

3D LASER CUT MODELS



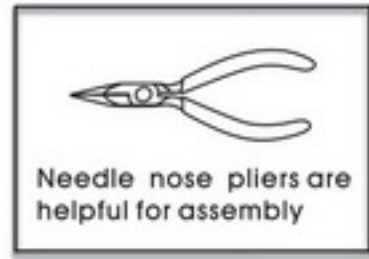
It is highly recommended that you visit [www.fascinations.com/metalearth360/mms030](http://www.fascinations.com/metalearth360/mms030) to see the completed model before assembling your own



mms030



Insertion holes  
Fold lines can be seen as shown here  
Insertion tabs are inserted and then folded

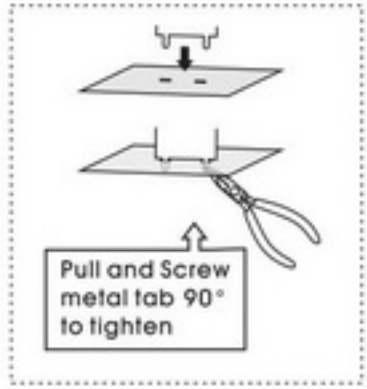


Needle nose pliers are helpful for assembly

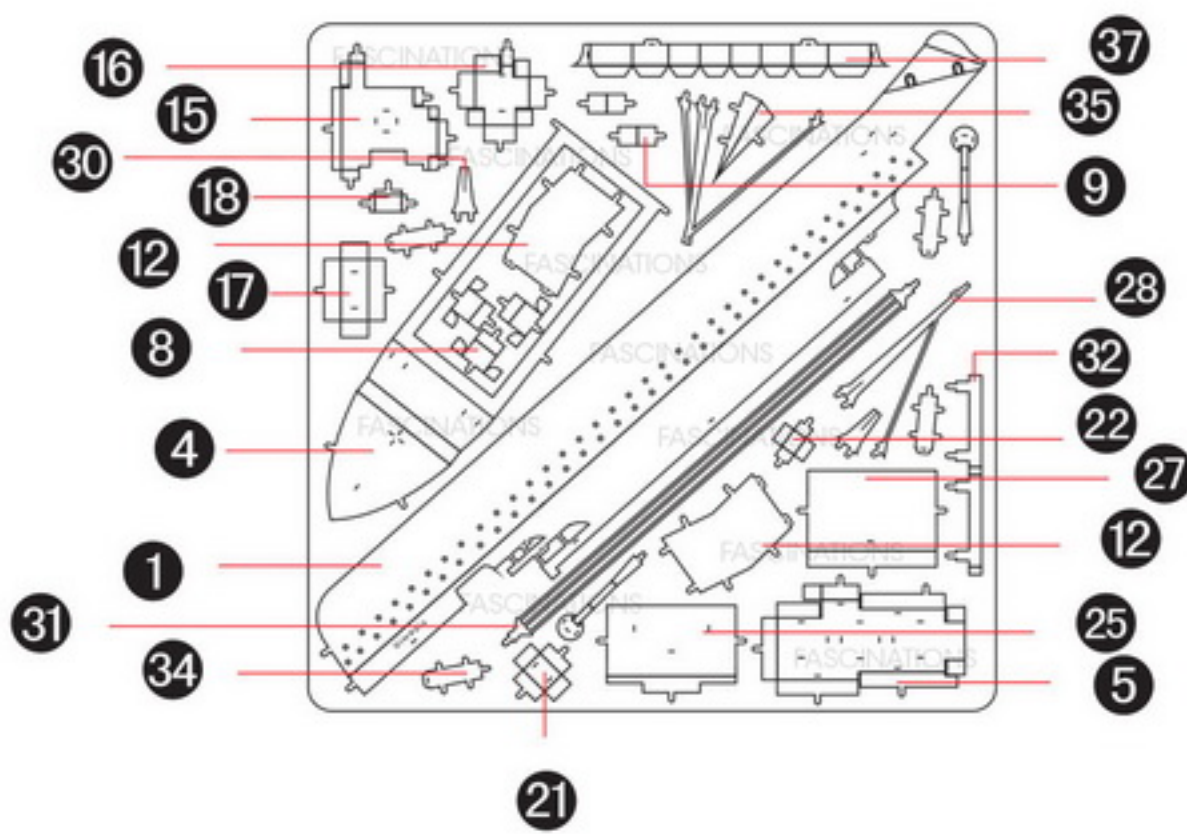
To create the best connections

● Insert tab and bend 90 degrees for most visible areas

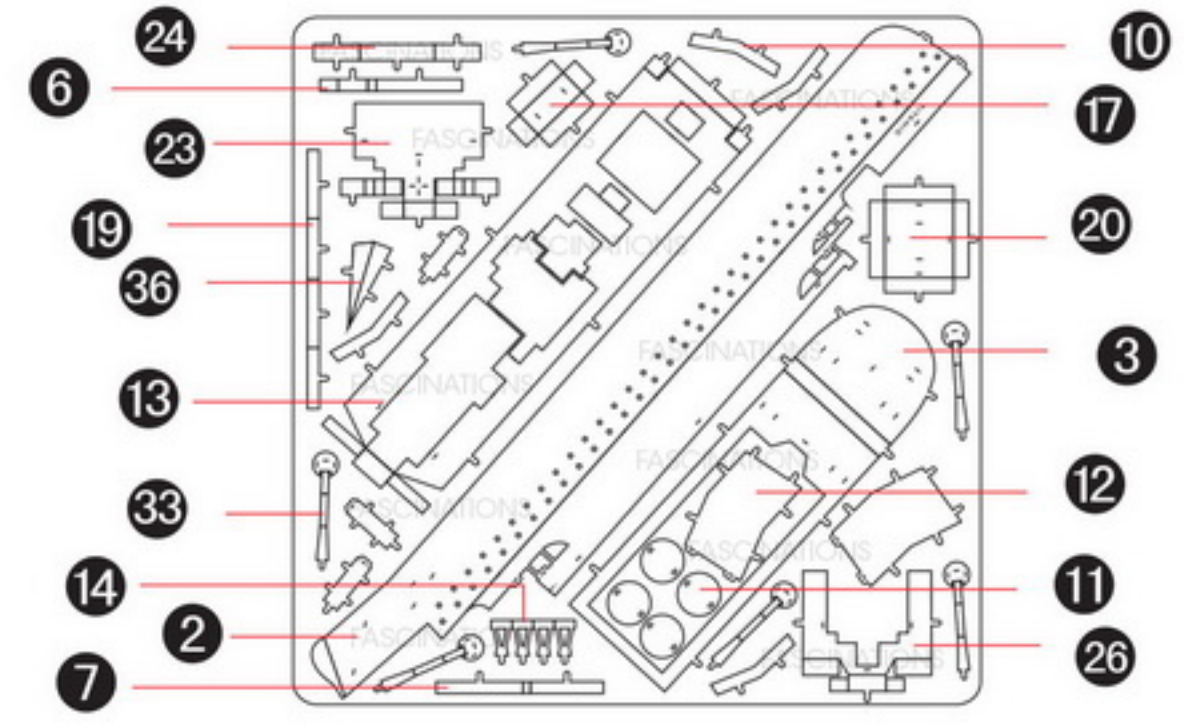
▲ Insert tab and twist 90 degrees is best in some areas to ensure a tight connection



⚠ In order to avoid possible injury from sharp edges, please carefully discard the metal sheet after parts have been removed



Metal sheet



Assembly Flow Chart

